

ENVALVE SERIES VK11-VK21 AE 75-250 MM



motor operated butterfly valves



[Motorized / pneumatic control valves](#) [Fittings](#)

Description

Envalve butterfly valves are designed to isolate or regulate flow. As they are electrically powered, they can be controlled by remote. The butterfly valves are made from PVC and have been provided with an EPDM gasket to enable them to withstand contact with corrosive substances. The valves are also available with Viton® FPM gasket.

Voordelen

- o ample throughput capacity
- o low loss in pressure
- o bidirectional flow
- o little installation space needed
- o few parts
- o emergency manual operation available

As they are electrically powered, the valves can be controlled by remote. The spindle is connected to an electric motor for convenient operation of the valve. This motor has a supply voltage of 24VAC/DC. Motors with a supply voltage of 230VAC are available on request.

The motor can be operated via the 3-point control, which is a bistable control. As soon as the control voltage is interrupted, the drive remains stationary at that point.

A position indicator on the motor shows whether the valve under the motor is open or closed, or in an intermediate position between these two states. The motor is equipped with an adjusting screw/shaft or handwheel, allowing the valve to be manually set to a specific position.

In addition to the limit switches for turning off the open/close state of the motor, there are also two additional position switches and a heating element standard installed in the motor, enabling the drive to be used in outdoor and/or cold settings (IP68).

The butterfly valve is equipped with flanges, collar bushings, bolts, and nuts. The sleeve also serves as a gasket, allowing for easy replacement after installation.

ENVALVE VK11-VK21 AE 75-250 MM

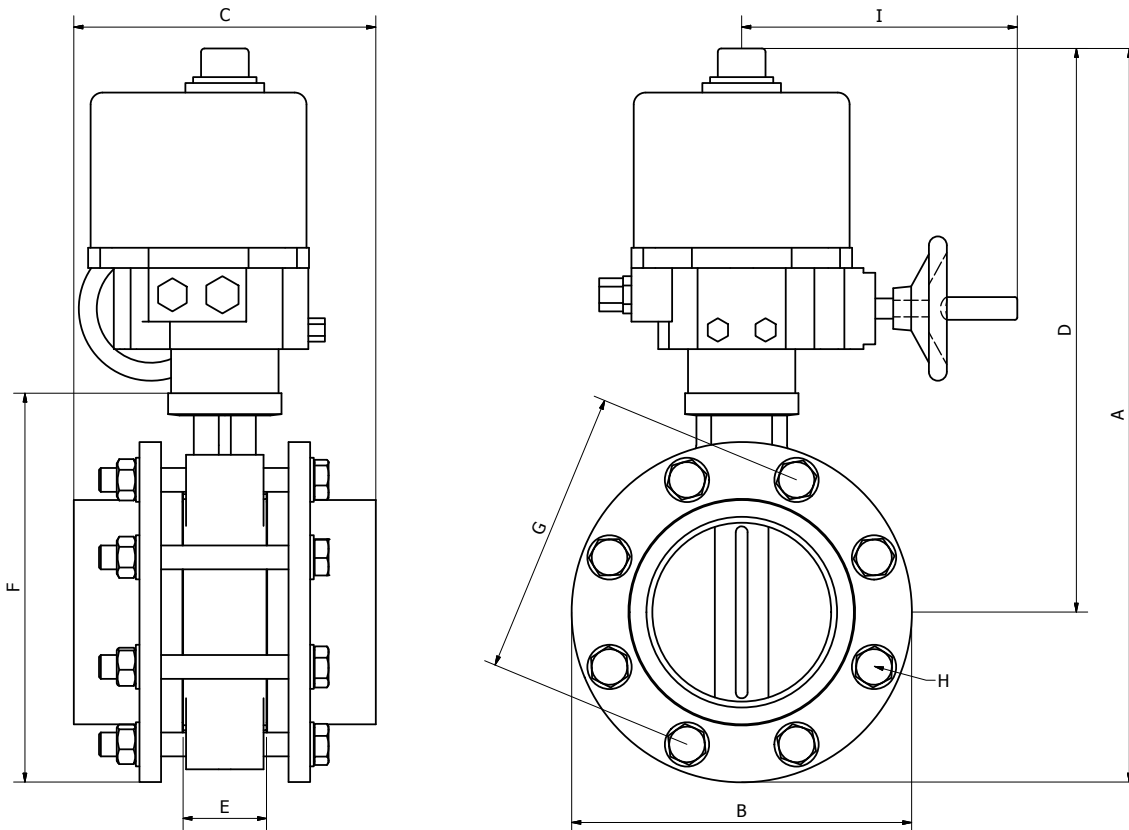


Model specifications

- o VK11: 1 valve - 1 motor
- o VK21: 2 valves - 1 motor

Valves with an AE motor have various run times at a rotational angle of 90°.

Dimension VK11 75 - 250 FS



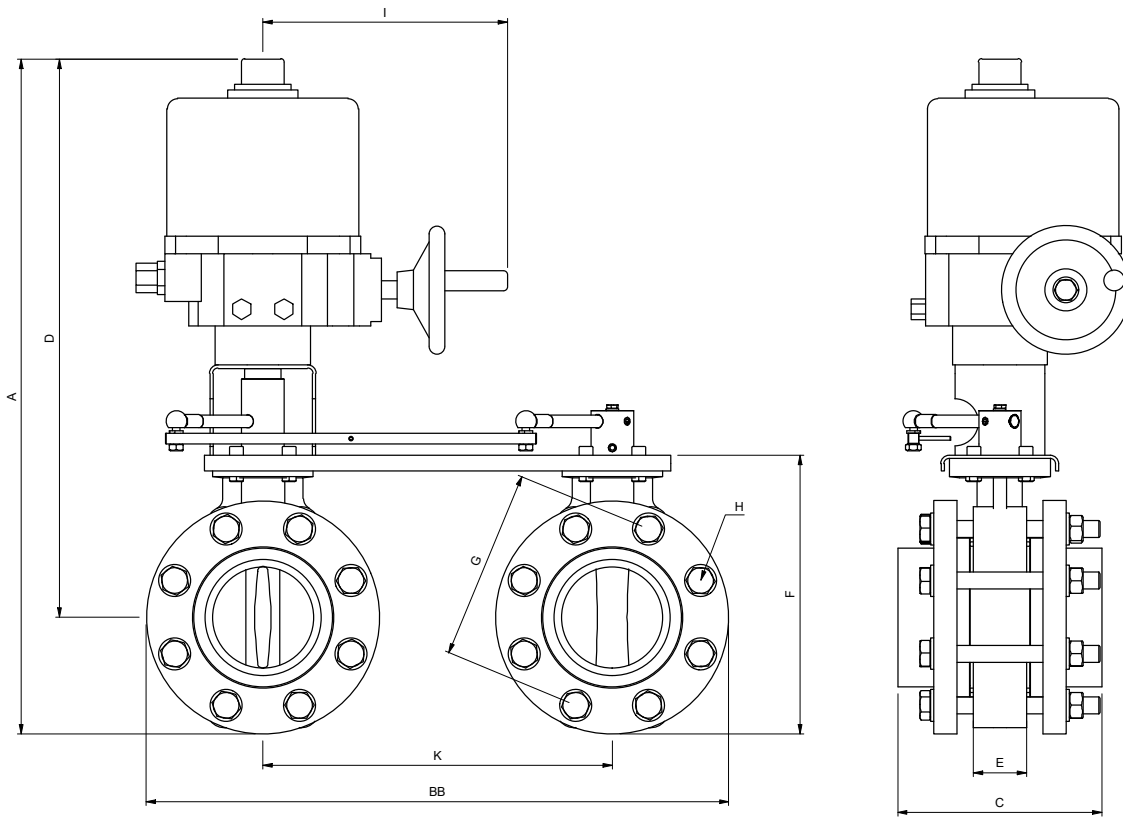
Dimensions VK11 75 - 250 FS

VK 11-75 t/m 250 FS (mm)										
VALVE TYPE	DN	A	B	C	D	E	F	G	H	I
75	65	363	185	141	270	46	213	145	M16 × 130	
90	80	391	200	162	291	49	236	160	M16 × 140	
110	100	456	220	193	346	56	260	180	M16 × 160	
125	110	486	235	213	366	64	290	190	M16 × 180	
160	150	615	285	253	472	70	326	240	M20 × 200	231
200	200	678	322	298	518	71	389	270	M20 × 250	231
250	250	757	395	394	553	114	432	350	M20 × 260	231

ENVALVE VK11-VK21 AE 75-250 MM



Dimension VK21 75 - 125 FS



Dimensions VK21 75 - 125 FS

VK21 75 t/m 125 FS (mm)											
VALVE TYPE	DN	A	B	C	D	E	F	G	H	I	K
75	65	589	515	141	497	45	215	145	M16 × 130	231	330
90	80	613	530	162	513	50	239	160	M16 × 140	231	330
110	100	657	550	193	527	56	263	180	M16 × 160	231	330
125	110	664	565	213	547	64	290	190	M16 × 180	231	330



Technical specifications adjustment motors

MOTOR TYPE	TORQUE		APPLIED TO		RUNTIME
AE-1	35 Nm		VK11 75 t/m 90		15 sec.
AE-A-M	50 Nm		VK11 110 t/m 125		20 sec.
AE-2	90 Nm		VK11 125 t/m 200 & VK21 75 t/m 125		15 / 150 sec.
AE-3	150 Nm		VK11 250		22 sec.
MOTOR TYPE	AE-1	AE-A-M	AE-2	AE-3	
VOLTAGE	24VAC/DC of 230VAC				
FREQUENCY	50/60 Hz				
POWER	10W	10W	40W	40W	
PROTECTION CLASS	IP68 (7m - 72 h)				
AMBIENT TEMP.	van 0 tot 50 °C				
OPERATING CONDITION	100% ED				
ASSEMBLY POSITION	see user manual				

Hydraulic and dimensional data

TYPE	LJUM (mm)	DN	Kv-VALUE (l/min)	WEIGHT (kg)
VK 11-75FS	75	65	1700	5
VK11-90FS	90	80	3550	7
VK11-110FS	110	100	5900	9
VK11-125FS	125	110	9850	11
VK11-160FS	160	150	18700	23
VK11-200FS	200	200	30500	31
VK11-250FS	250	250	53200	38
VK21-75FS	75	65	2 × 1700	20
VK21-90FS	90	80	2 × 3550	24
VK21-110FS	110	100	2 × 5900	26
VK21-125FS	125	110	2 × 9850	31

Technical specifications valve

KLEP DN 75 -250	
PLASTIC 2-WAY; FLANGES WITH BOLTS AND NUTS	
HOUSING	PVC
GASKET	EPDM (optional: Viton® FPM)
MAX. PRESSURE	10 bar at 20 °C
MAX. AMBIENT TEMP.	60 °C