



MAXI PUPPY 3000

MODELS:

23610-3003 12V

23610-3103 24V



FEATURES:

Continuous rated, heavy duty pumps for bilge and general purpose use.

- ISO 8846 MARINE (Ignition protection).
- ISO 8849 MARINE (Bilge pump standard).
- Small bilge debris present no problem to these bronze bodied, flexible impeller pumps.
- Simple design means fewer wearing parts.
- 44 lpm (9.5 UK gpm) output @ 3m (10ft) head.
- Self priming to 2.4m (8 ft).

MAXI PUPPY 3000 PERFORMANCE

Approximate performance for new pump, running water at 20°C with fully charged battery

TOTAL HEAD		MAXI PUPPY 3000	
m	ft	lpm	UK gpm
2	7	45	10
4	13	42	9
6	20	38	8.4
8	26	34	7.5
10	33	30	6.6
12	39	25	5.5

INSTALLATION INSTRUCTIONS:

Jabco Maxi Puppy 3000 can be mounted on any flat surface. Fit the pump in a dry, well ventilated position where there is full access for service. If installed in a vertical position the motor must be above the pump head. Use the rubber grommets provided to minimise vibration, do not overtighten the mounting screws.

Secure 25mm (1") id hose either direct to the discharge ports or to 1/2" BSP male threaded fittings using stainless steel hose clamps. Use spiral reinforced hose (with a smooth internal bore) that will not collapse under suction, or rigid or semi rigid pipework systems. The pipework must be compatible with the liquid being pumped. Pipe runs should be kept as straight and short as possible, avoiding rising and dipping over obstructions. Fit a strainer on the inlet hose to prevent larger debris from entering the pump.

WIRING INSTRUCTIONS

Make all electrical connections in dry locations, connections in humid environments should be sealed to prevent corrosion. Protect the circuit with a correctly rated fuse or circuit breaker in the red positive (+) lead as close as possible to the power source. Connect the black motor wire to the negative (-) battery terminal. Inadequate voltage at the motor terminals when the pump is running (not less than 10% below rated voltage at full load) due to partially discharged batteries or insufficient cable size may result in blowing fuses, failure to start or poor pump performance.



WARNING: If the fuse fails repeatedly do not fit a heavier fuse or bridge the fuse terminals with silver paper or metal wire. Failure to observe this instruction may result in a fire hazard due to overheating of cables.



WARNING: Do not use any Jabco pump for petrol, petroleum products or any products with a flash point below 37°C (98°F), explosion or death may occur.



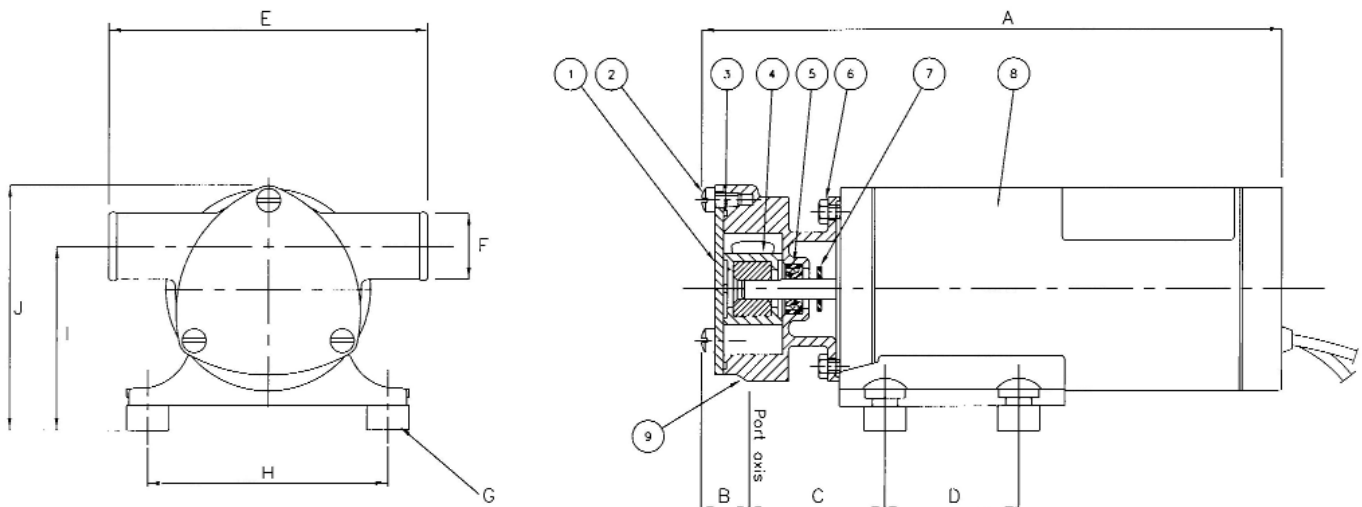
WARNING: All marine pumps discharging overboard must be installed with the overboard discharge well above both static and heeled waterlines.



ELECTRICAL WIRING INFORMATION					
MODEL NO.	VOLTAGE	MAXIMUM AMP DRAW	MAXIMUM FUSE SIZE	MINIMUM WIRE SIZE	MAXIMUM LENGTH BETWEEN (+) & (-) BATTERY TERMINALS
23610-3003	12 volt	21 amp	25 amp	84 / 0.30mm (6mm ²)	4.5M
23610-3103	24 volt	11 amp	15 amp	50 / 0.30mm (4mm ²)	4.5M

* For longer installations, fit thicker cables

DIMENSIONAL DRAWING & PARTS LIST



DIMENSIONS IN MILLIMETRES

A	B	C	D	E	F	G	H	I	J
220	19.5	50	50.8	120	Ø25	Ø6	91	69.6	93

WEIGHT: Maxi Puppy 3000 - 3.4kg (7.4lb)

MAXI PUPPY 3000 PARTS LIST

KEY	DESCRIPTION	QUANTITY	PART NUMBER
1	End Cover	1	9328-0200
2	End Cover Screw*	3	SP1004-09
3	O' Ring*	1	X5251-049
4	Impeller*	1	7273-0203
5	Seal*	1	SP2701-52
6	Screw (pump to motor)	2	X3001-147F
7	Slinger	1	6342
8	Motor 12V	1	98012-0159C
	Motor 24V	1	98012-0160C
9	Body	1	23064-2200
Service Kit (Contains items marked *)			SK224-01

xylem
Let's Solve Water

Jabsco, 1 Kondelin Road, Cape Ann Industrial Park, Gloucester, MA 01930

Tel : +1 978 281 0440 Fax : +1 978 283 2619

Jabsco, Bingley Road, Hoddesdon, Hertfordshire, EN11 0BU

Tel : +44 (0) 1992 450 145 Fax : +44 (0) 1992 467 132

Fluid Products Canada, 55 Royal Road, Guelph, Ontario N1H 1T1

Tel : +1 519 821 1900 Fax : +1 519 821 5316

NHK Jabsco Co Ltd, 3-21-10, Shin - Yokohama, Kohoku-ku, Yokohama 222

Tel : +81 (0) 45 475 8906 Fax : +81 (0) 45 475 8908

Jabsco GmbH, Oststraße 28, 22844 Norderstedt

Tel : +49 (0) 40 53 53 73 0 Fax : +49 (0) 40 53 53 73 11

Jabsco Italia, S.r.l., Via Tommaseo, 6, 20059 Vimercate, Milano

Tel : +39 039 685 2323 Fax : +39 039 666 307

USA

UK

CANADA

JAPAN

GERMANY

ITALY

Warranty: All products of the company are sold and all services of the company are offered subject to the company's warranty and terms and conditions of sale, copies of which will be furnished upon request.

© 2012 Xylem, Inc. All rights reserved. JABSCO is a registered trademark of Xylem Inc. or one of its subsidiaries.

43001-0591 Rev: B



MINI PUPPY

MODELS:

23620-4003 12V

23620-4103 24V



FEATURES:

Continuous rated, medium duty pumps for bilge and general purpose use.

- ISO 8846 MARINE (Ignition protection).
- ISO 8849 MARINE (Bilge pump standard).
- Small bilge debris present no problem to these brass bodied, flexible impeller pumps.
- Simple design means fewer wearing parts.
- 6 lpm (1.3 UK gpm) output @ 2m (6.6ft) head.
- Self priming to 1.5m (5 ft).

INSTALLATION INSTRUCTIONS:

Jabsco Mini Puppy can be mounted on any flat surface. Fit the pump in a dry, well ventilated position where there is full access for service. If installed in a vertical position the motor must be above the pump head. Use the rubber grommets provided to minimise vibration, do not overtighten the mounting screws.

Secure 25.4mm (1") id hose direct to the discharge ports using stainless steel hose clamps, or use $\frac{3}{8}$ " BSP / NPT pipe fittings using suitable jointing tape. Use spiral reinforced hose (with a smooth internal bore) that will not collapse under suction, or rigid or semi rigid pipework systems. The pipework must be compatible with the liquid being pumped. Pipe runs should be kept as straight and short as possible, avoiding rising and dipping over obstructions. Fit a strainer on the inlet hose to prevent larger debris from entering the pump.

MINI PUPPY PERFORMANCE

Approximate performance for new pump, running water at 20°C with fully charged battery

TOTAL HEAD		MINI PUPPY	
m	ft	lpm	UK gpm
2	6.6	6	1.5
4	13	5	1.3
6	19.7	4	1.1
8	26.2	2.8	0.9

WIRING INSTRUCTIONS

Make all electrical connections in dry locations, connections in humid environments should be sealed to prevent corrosion. Protect the circuit with a correctly rated fuse or circuit breaker in the red positive (+) lead as close as possible to the power source. Connect the black motor wire to the negative (-) battery terminal. Inadequate voltage at the motor terminals when the pump is running (not less than 10% below rated voltage at full load) due to partially discharged batteries or insufficient cable size may result in blowing fuses, failure to start or poor pump performance.



WARNING: If the fuse fails repeatedly do not fit a heavier fuse or bridge the fuse terminals with silver paper or metal wire. Failure to observe this instruction may result in a fire hazard due to overheating of cables.



WARNING: Do not use any Jabsco pump for petrol, petroleum products or any products with a flash point below 37°C (98°F), explosion or death may occur.



WARNING: All marine pumps discharging overboard must be installed with the overboard discharge well above both static and heeled waterlines.

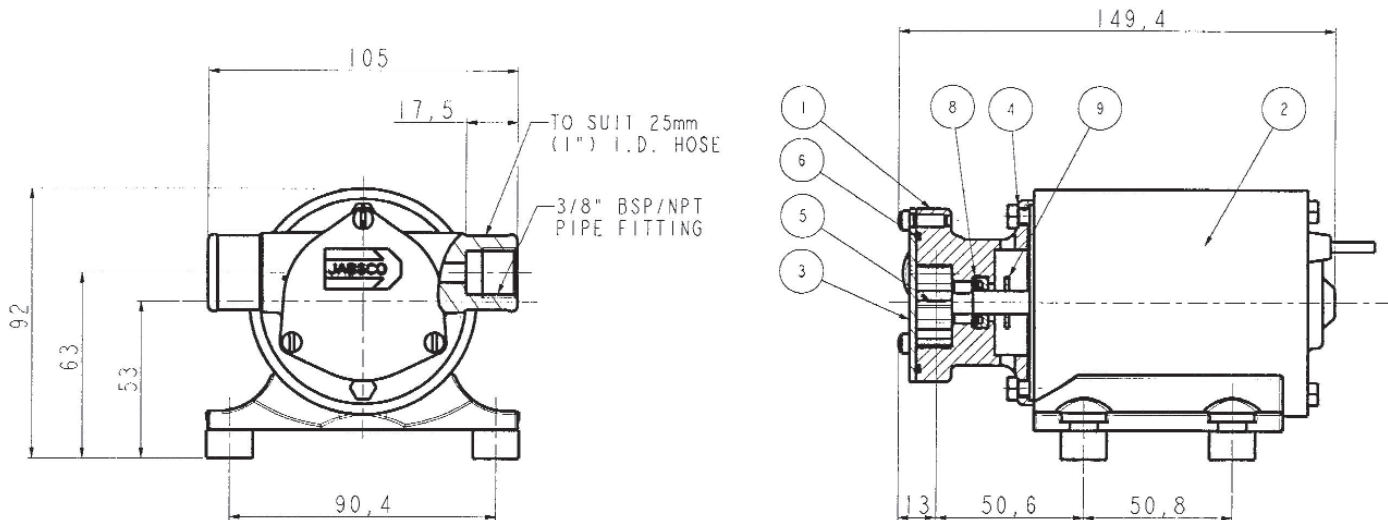


ELECTRICAL WIRING INFORMATION					
MODEL NO.	VOLTAGE	MAXIMUM AMP DRAW	MAXIMUM FUSE SIZE	MINIMUM WIRE SIZE	MAXIMUM LENGTH BETWEEN (+) & (-) BATTERY TERMINALS
23620-4003	12 volt	5 amp	7.5 amp	30 / 0.25mm (1.5mm ²)	8m (26ft) *
23620-4103	24 volt	2.5 amp	5 amp	32 / 0.2mm (1.0mm ²)	8m (26ft) *

* For longer installations, fit thicker cables

DIMENSIONAL DRAWING & PARTS LIST

All dimensions in mm



WEIGHT: Mini Puppy - 2.2kg (4.8lb)

MINI PUPPY PARTS LIST			
KEY	DESCRIPTION	QUANTITY	PART NUMBER
1	End Cover Screw *	3	SP1002-03
2	End Cover	1	29305-0100
3	Impeller*	1	1414-0003B
4	O-Ring*	1	X1990-131
5	Body	1	7824-2000
6	Seal*	1	93000-6100
7	Screw (pump to motor)	2	X3001-147F
8	Slinger	1	6342
9	Motor 12V	1	98012-2742C
	Motor 24V	1	98012-2885C
Service Kit (Contains Items Marked *)			SK374-0003

xylem
Let's Solve Water

Jabsco, 1 Kondelin Road, Cape Ann Industrial Park, Gloucester, MA 01930

Tel : +1 978 281 0440 Fax : +1 978 283 2619

Jabsco, Bingley Road, Hoddesdon, Hertfordshire, EN11 0BU

Tel : +44 (0)1992 450145 Fax : +44 (0)1992 467132

Fluid Products Canada, 55 Royal Road, Guelph, Ontario N1H 1T1

Tel : +1 519 821 1900 Fax : +1 519 821 5316

NHK Jabsco Co Ltd, 3-21-10, Shin - Yokohama, Kohoku-ku, Yokohama 222

Tel : +81 (0) 45 475 8906 Fax : +81 (0) 45 475 8908

Jabsco GmbH, Oststraße 28, 22844 Norderstedt

Tel : +49 (0) 40 53 53 73 0 Fax : +49 (0) 40 53 53 73 11

Jabsco Italia, s.r.l., Via Tommaseo, 6, 20059 Vimercate, Milano

Tel : +39 039 685 2323 Fax : +39 039 666 307

USA

UK

CANADA

JAPAN

GERMANY

ITALY

Warranty: All products of the company are sold and all services of the company are offered subject to the company's warranty and terms and conditions of sale, copies of which will be furnished upon request. The information provided herein is for guidance only, it does not constitute a guarantee of the performance or specification of any individual product or component.
© 2012 Xylem, Inc. All rights reserved. JABSCO is a registered trademark of Xylem Inc. or one of its subsidiaries.

43001-0595 Rev: B



COMMERCIAL DUTY WATER PUPPY

MODELS:

23680-4003 12V DC

23680-4103 24V DC



FEATURES:

Continuous rated, medium duty pumps for bilge and general purpose use.

- ISO 8846 MARINE (Ignition protection).
- ISO 8849 MARINE (Bilge pump standard).
- Small bilge debris present no problem to these bronze bodied, flexible impeller pumps.
- Simple design means fewer wearing parts.
- 32 lpm (6.5 UK gpm) output @ 3m (10ft) head.
- Self priming to 1.2m (4 ft).

WATER PUPPY PERFORMANCE

Approximate performance for new pump, running water at 20°C with fully charged battery

TOTAL HEAD		WATER PUPPY	
m	ft	lpm	UK gpm
2	7	35	7.7
3	10	32	7
4	13	30	6.6
6	20	25	5.5



WARNING: If the fuse fails repeatedly do not fit a heavier fuse or bridge the fuse terminals with silver paper or metal wire. Failure to observe this instruction may result in a fire hazard due to overheating of cables.



WARNING: Do not use any Jabsco pump for petrol, petroleum products or any products with a flash point below 37°C (98°F), explosion or death may occur.

INSTALLATION INSTRUCTIONS:

Jabsco Water Puppy can be mounted on any flat surface. Fit the pump in a dry, well ventilated position where there is full access for service. If installed in a vertical position the motor must be above the pump head. Use the rubber grommets provided to minimise vibration, do not overtighten the mounting screws.

Secure 25mm (1") id hose either direct to the discharge ports or to ½" BSP male threaded fittings using stainless steel hose clamps. Use spiral reinforced hose (with a smooth internal bore) that will not collapse under suction, or rigid or semi rigid pipework systems. The pipework must be compatible with the liquid being pumped. Pipe runs should be kept as straight and short as possible, avoiding rising and dipping over obstructions. Fit a strainer on the inlet hose to prevent larger debris from entering the pump.

WIRING INSTRUCTIONS

Make all electrical connections in dry locations, connections in humid environments should be sealed to prevent corrosion. Protect the circuit with a correctly rated fuse or circuit breaker in the orange positive (+) lead as close as possible to the power source. Connect the black motor wire to the negative (-) battery terminal. Inadequate voltage at the motor terminals when the pump is running (not less than 10% below rated voltage at full load) due to partially discharged batteries or insufficient cable size may result in blowing fuses, failure to start or poor pump performance.



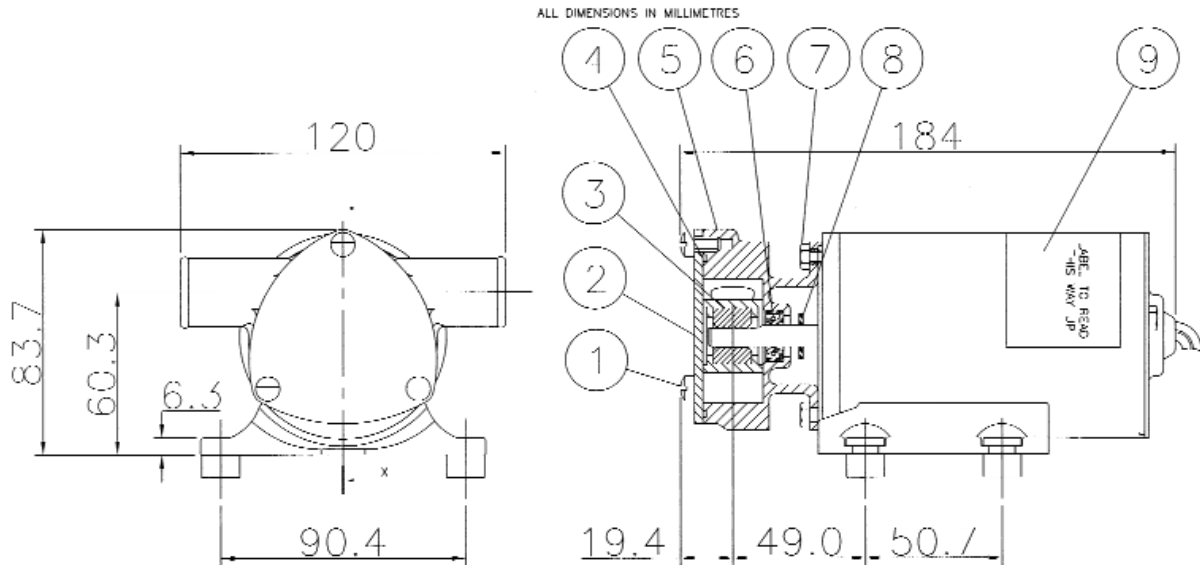
WARNING: All marine pumps discharging overboard must be installed with the overboard discharge well above both static and heeled waterlines.



ELECTRICAL WIRING INFORMATION					
MODEL NO.	VOLTAGE	MAXIMUM AMP DRAW	MAXIMUM FUSE SIZE	MINIMUM WIRE SIZE	MAXIMUM LENGTH BETWEEN (+) & (-) BATTERY TERMINALS
23680-4003	12 volt	13 amp	15 amp	30 / 0.25mm (1.5mm ²)	4.5m (15ft) *
23680-4103	24 volt	6 amp	10 amp	32 / 0.2mm (1.0mm ²)	4.5m (15ft) *

* For longer installations, fit thicker cables

DIMENSIONAL DRAWING & PARTS LIST



WEIGHT: Water Puppy - 3.0kg (6.6lb)

WATER PUPPY PART LIST			
KEY	DESCRIPTION	QUANTITY	PART NO.
1	End Cover Screw *	3	SP1004-09
2	End Cover	1	9328-0200
3	Impeller *	1	6303-0003
4	O-ring *	1	X5251-049
5	Body	1	23064-2100
6	Seal *	1	SP2701-52
7	Screw (pump to motor)	2	X3001-147F
8	Slinger	1	6342
9	Motor 12V	1	74001-2652B
	Motor 24V	1	74001-2653B
Service Kit (Contains Items Marked *)			SK224

xylem
Let's Solve Water

Jabsco, 100 Cummings Center, Ste 535-N, Beverly, MA 01915
Tel : ++1 978 281 0440 Fax : +1 978 283 2619

USA

Jabsco, Bingley Road, Hoddesdon, Hertfordshire, EN11 0BU
Tel : +44 (0) 1992 450 145 Fax : +44 (0) 1992 467 132

UK

Fluid Products Canada, 55 Royal Road, Guelph, Ontario N1H 1T1
Tel : +1 519 821 1900 Fax : +1 519 821 5316

CANADA

NHK Jabsco Co Ltd, 3-21-10, Shin - Yokohama, Kohoku-ku, Yokohama 222
Tel : +81 (0) 45 475 8906 Fax : +81 (0) 45 475 8908

JAPAN

Jabsco GmbH, Oststraße 28, 22844 Norderstedt
Tel : +49 (0) 40 53 53 73 0 Fax : +49 (0) 40 53 53 73 11

GERMANY

Warranty: All products of the company are sold and all services of the company are offered subject to the company's warranty and terms and conditions of sale, copies of which will be furnished upon request.

JABSCO PUPPY SERIES

Model No.	Body Materials	Impeller	Seal	Voltage	Amp Draw	Fuse Size	Motor Type	Port Type	Weight
18620-0003	Bronze	Nitrile	Lip Type	12 (Vdc)	7 (amp)	10 (amp)	Reversible permanent magnet type with Integral reversing switch and fuse	3/4" garden hose external	5.5 lb. (2.5 kg)
18660-0121	Bronze	Neoprene	Lip type	12 (Vdc)	8 (amp)	15 (amp)	Permanent magnet type, fully enclosed, stainless steel shaft	1/2" internal pipe threads and 1" external hose barb adapter for 3/4" external garden hose thread included	4.5 lb. (2 kg)
18660-0123	Bronze	Nitrile	Lip type	12 (Vdc)	8 (amp)	15 (amp)	Permanent magnet type, fully enclosed, stainless steel shaft	1/2" internal pipe threads and 1" external hose barb adapter for 3/4" external garden hose thread included	4.5 lb. (2 kg)
18650-0121	Bronze	Neoprene	Lip type	12 (Vdc)	7 (amp)	15 (amp)	Permanent magnet type, fully enclosed, stainless steel shaft	3/8" internal pipe threads and 1" external hose barb adaptor for 3/4" external garden hose thread included	4.5 lb. (2 kg)
18670-0123	Bronze	Nitrile	Lip Type	12 or 24 (Vdc)	11.5 (amp)	20 (amp)	Permanent magnet type, fully enclosed, stainless steel shaft, ball type shaft bearing, adequate torque to reverse the pump	1/2" internal pipe threads and 1" external hose barb adapter for 3/4" external garden hose thread included	6 lb. (2.7 kg)
18670-0923	Bronze	Nitrile	Lip Type	12 or 24 (Vdc)	11.5 (amp)	20 (amp)	Permanent magnet type, fully enclosed, stainless steel shaft, ball type shaft bearing, adequate torque to reverse the pump	1/2" internal pipe threads and 1" external hose barb adapter for 3/4" external garden hose thread included	6 lb. (2.7 kg)
18670-0943	Bronze	Nitrile	Lip Type	12 or 24 (Vdc)	5 (amp)	10 (amp)	Permanent magnet type, fully enclosed, stainless steel shaft, ball type shaft bearing, adequate torque to reverse the pump	1/2" internal pipe threads and 1" external hose barb adapter for 3/4" external garden hose thread included	6 lb. (2.7 kg)
23610-3003	Bronze	Nitrile	Lip type	12 or 24 (Vdc)	21 (amp)	25 (amp)	Permanent magnet, continuous rated	1/2" BSP or 1" hose barb	7.5 lb. (3.4 kg)
23610-3103	Bronze	Nitrile	Lip type	12 or 24 (Vdc)	11 (amp)	15 (amp)	Permanent magnet, continuous rated	1/2" BSP or 1" hose barb	7.5 lb. (3.4 kg)
23620-4003	Bronze	Nitrile	Lip Type	12 or 24 (Vdc)	5 (amp)	7.5 (amp)	Permanent magnet type, fully enclosed, stainless steel shaft, ball type bearings	1" ID hose	5.0 lb. (2.3 kg)
23620-4103	Bronze	Nitrile	Lip Type	12 or 24 (Vdc)	2.5 (amp)	5 (amp)	Permanent magnet type, fully enclosed, stainless steel shaft, ball type bearings	3/8" hose	5.0 lb. (2.3 kg)
23670-4003	Brass	Nitrile	Lip Type	12 (Vdc)	13 (amp)	15 (amp)	Permanent magnet type, fully enclosed, continuous rated, stainless steel shaft, ball type bearings	3/8" BSP or 1" ID hose	6.6 lb. (3 kg)

JABSCO PUPPY SERIES

Model No.	Body Materials	Impeller	Seal	Voltage	Amp Draw	Fuse Size	Motor Type	Port Type	Weight
23670-4103	Brass	Nitrile	Lip Type	24 (Vdc)	7 (amp)	10 (amp)	Permanent magnet type, fully enclosed, continuous rated, stainless steel shaft, ball type bearings	3/8" BSP or 1" ID hose	6.6 lb. (3 kg)
23680-4003	Bronze	Nitrile	Lip Type	12 or 24 (Vdc)	13 (amp)	15 (amp)	Permanent magnet	1/2" BSP or 1" hose barb	6.6 lb. (3 kg)
23680-4103	Bronze	Nitrile	Lip Type	12 or 24 (Vdc)	6 (amp)	10 (amp)	Permanent magnet	1/2" BSP or 1" hose barb	6.6 lb. (3 kg)
23920-2423	Bronze	Nitrile	Lip Type	12 or 24 (Vdc)	13 (amp)	15 (amp)	Permanent magnet, continuous rated	3/4" BSP	7 lb. (3.3 kg)
23920-2523	Bronze	Nitrile	Lip Type	12 or 24 (Vdc)	7 (amp)	10 (amp)	Permanent magnet, continuous rated	3/4" BSP	7 lb. (3.3 kg)
23920-9423	Bronze	Nitrile	Lip Type	12 or 24 (Vdc)	13 (amp)	15 (amp)	Permanent magnet, continuous rated	NPT (19mm)	7 lb. (3.3 kg)
23920-9523	Bronze	Nitrile	Lip Type	12 or 24 (Vdc)	7 (amp)	10 (amp)	Permanent magnet, continuous rated	NPT (19mm)	7 lb. (3.3 kg)
8860-0001	Bronze	Neoprene	Lip Type	12 (Vdc)	4 (amp)	10 (amp)	Permanent magnet type, fully enclosed, stainless steel shaft	3/8" pip thread internal plus an adaptor for 3/4" garden hose thread	4.5 lb. (2 kg)