

VR050 12/24V Fuel Transfer Pump

Features

- Faster refuelling - 50 litres/minute (13 GPM)
- High head capability - 10 metres (32 feet)
- Self priming up to 3 metres (9.6 feet)
- Continuously rated*
- Vibration tested
- IP55 protected motor
- 24V version with thermal cut-out protection
- Full range of installation accessories
- Customised kits for OEM customers



Typical Applications

- Designed for refuelling medium sizes diesel powered vehicles [typical tank sizes 200 - 500 litres (50 - 200 gallons)] from drums.
- Suitable for mounting to the following equipment: Excavators, Cranes, Road rollers (compactors), Pavers, Agricultural machines, Generators, Helicopters.
- Suitable for diesel fuel, Kerosene, Paraffin, Hydraulic oils, Oils up to 150 centi Stokes (750 Saybolt Universal) viscosity.

Specifications

Temperature Range : -30°C to +50°C (-22°F to +104°F)

Pump Body : Cast Iron

Rotor : Sintered Iron

Vanes : Sintered Bronze

Shaft : Carbon Steel

Seal : Nitrile Lip Seal. (Viton - 2160 BD - 2022v)

Ports : Vertical ¾" BSP or 25mm hose adaptors (1").

Motor : 12V or 24V DC permanent magnet, corrosion resistant IP55 protected

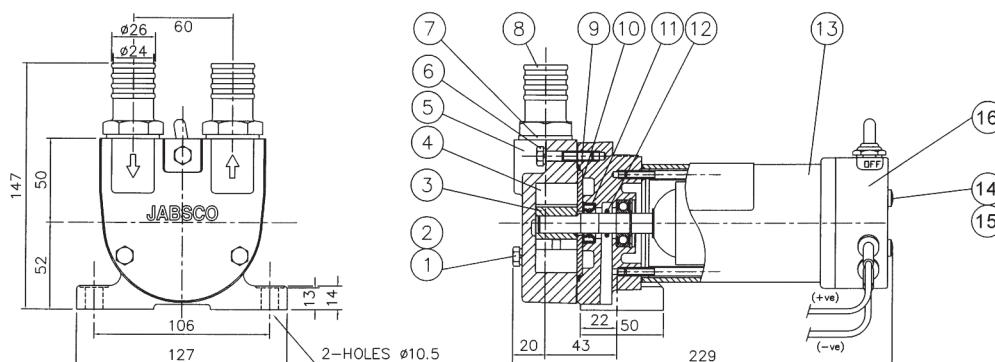
Duty : *Continuously rated up to 3 metres (10 ft.), total head of diesel fuel at 40°C (104°F).

Model Range

| Model number | Description |
|--|---|
| VR050-2022V | ¾" BSP ports, 12v DC, switch & fuse for B20 BIO DIESEL |
| VR050-2022 | ¾" BSP ports, 12v DC, switch & fuse |
| VR050-2160 BD | ¾" BSP ports, 24v DC, for B20 BIO DIESEL |
| VR050-2120 | ¾" BSP ports, 24v DC |
| VR050-2122 | ¾" BSP ports, 24v DC, switch & fuse |
| VR050-1120 | 25mm (1"), Hose ports, 24v DC |
| VR050-1022 | 25mm (1"), Hose ports, 12v DC, switch & fuse |
| VR050-1122 | 25mm (1"), Hose ports, 24v DC, switch & fuse |
| VR050-1123 | 25mm (1"), Hose ports, 24v DC, automatic shut off controller |
| VR050-B013 | 25mm (1"), Hose ports, 24v DC, switch & fuse, fitted with by-pass |
| Accessories For further information see Data Sheet 43010-0031 | |
| 23738-0010B | Check valve kit |
| 23739-0000B | Foot valve kit |
| 23739-0100B | Foot valve with shrouded strainer |
| 23541-0001G | Hose - 25mm (1") bore, [per metre] |
| 23733-0000 | Suction strainer 250 micron |
| 50290-1000 | Shrouded strainer |
| 23739-B047 | Foot valve with shrouded strainer for B20 BIO DIESEL |

⚠ WARNING Explosion hazard. Do not pump gasoline, solvents, thinners or other flammable liquids. To do so can cause an explosion resulting in injury or death.

Dimensions in mm (inches)



Parts List

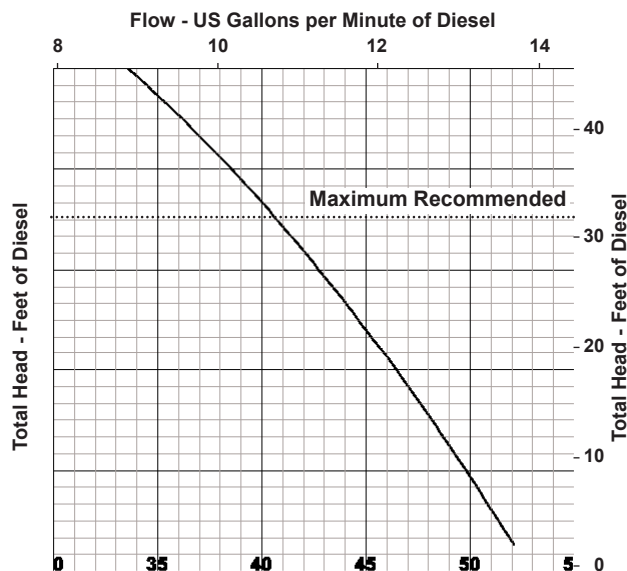
| Key | Description | Qty | Part No. | Version 2160 BD | |
|-----|--------------------------|-----------------|----------|--------------------|--------------|
| 1 | Bolt | M6 x 42 | 2 | X3000-191F | |
| 2 | Spring washer | | 3 | X3081-091F | |
| 3 | Rotor | | 1 | 50242-0000 | |
| 4 | Vane* | | 4 | Use SK421-0000 | |
| 5 | Body | BSP | 1 | 50244-2000 | |
| | | NPT | 1 | 50244-9000 | |
| 6 | Bolt | M6 x 30 | 1 | X3000-186F | |
| 7 | Sealing Washer | | 2 | SP1613-1415 | |
| 8 | Port adaptor | | 2 | 23543-1000 | |
| 9 | O-Ring* | | 1 | X4020-264A | X4020- 264B |
| 10 | Backplate | | 1 | 50246-0000 | |
| 11 | Seal* | | 1 | SP2701-0504 | SP2701- 1071 |
| 12 | O-Ring* | | 1 | X4020-211A | X4020- 211B |
| 13 | Motor | With Switch 12V | 1 | 98012-9295B | |
| | | & Fuse 24V | 1 | 98012-9296B | |
| | | Basic 24V | 1 | 98012-9297B | |
| 14 | Screw (Pack 10) | | 2 | 91046-6001B | |
| 15 | Sealing washer (Pack 10) | | 2 | 91608-6001B | |
| 16 | Fuse (Pack 10) | 20 Amp (12V) | 1 | 92005-6020B | |
| | | 10 Amp (24V) | 1 | 92005-6010B | |

Service kit contains items marked *SK421-0000

Note

All performance information is based on diesel fuel at 20°C (68°F). On production product, this may vary by up to 10%. Maximum recommended total head of diesel fuel is 10 metres.

Performance



Current Draw 12V = 12 Amps @ 3m head

24V = 6 Amps @ 3m head

Maximum Current 12V = 20 Amps

24V = 10 Amps

Safety

Do not use for pumping petrol, gasoline or products with a flash point below 37°C (99°F).

Do not dry run.

Always fit a fuse.

xylem

Let's Solve Water

www.xylem.com

UK
Xylem
Bingley Road, Hoddesdon
Hertfordshire EN11 0BU
Tel: +44 (0) 1992 450145
Fax: +44 (0) 1992 467132

USA
Xylem
100 Cummings Center Drive
Suite 535-N, Beverly, MA 01915
Tel: +1 978 281-0440
Fax: +1 978 283-2619

ITALY
Xylem
Via Tommaseo, 6
20059 Vimercate, Milano
Tel: +39 039 685 2323
Fax: +39 039 666 307

GERMANY
Xylem
Oststrasse 28
22844 Norderstedt
Tel: +49-40-53 53 73-0
Fax: +49-40-53 53 73-11

JAPAN
Xylem
3-21-10, Shin-Yokohama
Kohoku-Ku, Yokohama, 222-0033
Tel: +81-045-475-8906
Fax: +81-045-477-1162

Warranty: All products of the company are sold, and all services of the company are offered subject to the company's warranty and terms of sale, copies of which will be furnished upon request. Details correct at time of printing. We reserve the right to change specifications without prior notice.