

28500 Series

Hygienic Stainless Steel Pedestal Pump

Features

- Self primes from dry up to 4.5 metres
- Flows up to 365 litres per minute
- Pressure up to 3.0 bar
- Handles soft solids - max. 18mm diameter
- Certified to US 3A Standard 02-09
- Clean-In-Place (CIP) or easy strip clean
- Handles viscosities up to 50,000 centiPoise
- Minimal shear to thixotropic fluids
- Easy to service and maintain



Typical Applications

- Foods, sauces, doughs, preserves, liquid egg, meat pastes
- Dairy products, milk, cream, yoghurt, cheeses
- Cosmetics, toothpaste, shampoos, soaps
- Pharmaceutical creams & lotions
- Wines, beers, soft drinks, fruit juices & syrups
- Ingredients unloading and transfer
- Tank filling and emptying
- Recirculation and mixing
- Portion and container filling
- Brine injection
- Sampling, filtration and more

Specifications

Seal : Carbon / Ceramic mechanical face seal
Tungsten Carbide / Ceramic hard faced seal
Flushed options for crystallising fluids

Seal Elastomer : Food grade Nitrile

Pump Head : Stainless steel 316, machined interior and electropolished exterior finish

End Cover : Stainless steel 316 grade

Shaft : Stainless steel 316 grade

Bearings : Greased ball bearings

Bearing Housing : Epoxy coated cast iron

Ports :	2"	Tri-Clamp	28500-1xxx
	51mm	IDF/ISS	28500-3xxx
	2"	RJT to BS1864	28500-4xxx
	2"	3A Bevel Seat	28500-5xxx
	50mm	DIN 11851	28500-6xxx
	51mm	SMS 1145	28500-7xxx

Model Range

Weight : 14.7kg


Pressure options	Medium - Max 2.5 bar		High - Max 3.0 bar	
	3A Neoprene	E.P.D.M.	3A Neoprene	E.P.D.M.
Elastomer option	3A Neoprene	E.P.D.M.	3A Neoprene	E.P.D.M.
Temperature range	4°C to 65°C	0°C to 120°C	4°C to 65°C	0°C to 120°C
Mechanical Seal Options				
Carbon/Ceramic	28500-x115	28500-x112	28500-x125	28500-x122
Tungsten Carbide/Ceramic hard faced	28500-x215		28500-x225	
Flushed Mechanical Seal				
Tungsten Carbide/Ceramic hard faced	28500-x715		28500-x725	
Carbon/Ceramic	28500-x915		28500-x925	

For models not listed above, consult distributor or factory, 'x' Substitute port code from table above


Note : it is not recommended to start the pump at extremes of the temperature range, impeller damage may occur

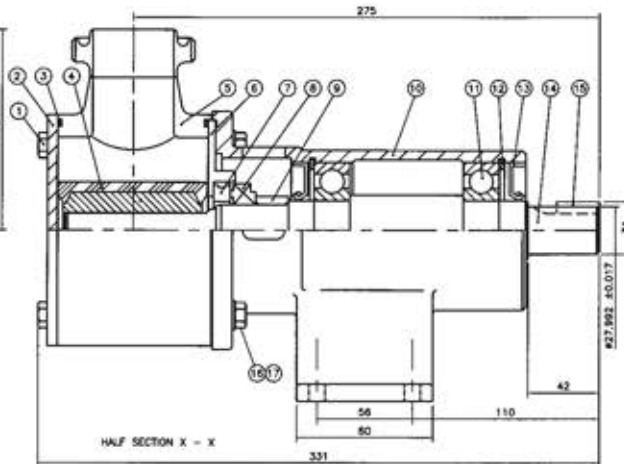
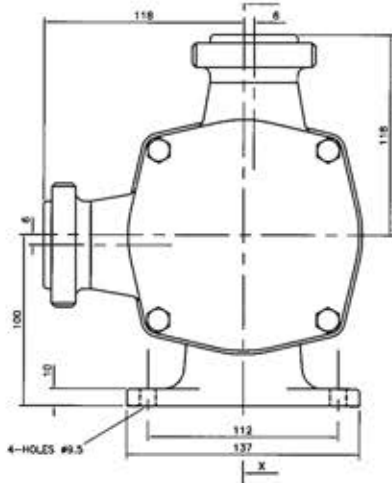
For Installation, Operating, Maintenance and Safety Instructions refer to form 43001-0543

⚠ WARNING Explosion hazard. Do not pump gasoline, solvents, thinners or other flammable liquids. To do so can cause an explosion resulting in injury or death.

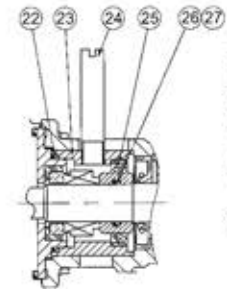


⚠ WARNING Injury hazard. Exposed pulleys and belts can cause injury. Install shield around pulleys and belts. Stay clear while machinery is operating.





28500 Series



Flushed Seal

Dimensions in mm

For performance data refer to the 370 size flexible impeller pump performance curves

Parts List

Key	Description	Qty	Part Number
1	Screw	4	X3001-207F
2	Endcover	1	28505-0020
3	O'Ring *	2	See right
4	Impeller*	1	See right
5	Body	1	See right
6	Wearplate	1	28536-0000
7 / 8	Seal Assembly *	1	See right
9	Seal Spacer	1	28517-0000
10	Bearing Housing	1	28503-0000
11	Bearing	2	SP2601-23
12	Retaining Ring	2	SP1701-437
13	Lip seal (Bearing Housing)	2	SP2701-0912
14	Shaft	1	28507-0000
15	Key	1	X4000-487A
16	Washer	4	X3080-101K
17	Screw	4	X3001-211F
22	O-Ring	1	X4020-269A
23	Seal Housing	1	28512-0000
24	Tube	2	21844
25	Seal	1	SP2701-0915
26	O-Ring	1	X4020-229A
27	Seal Spacer	1	28517-0001

Parts marked * Contained in service kit

Spare Parts & Service Kits

Pressure Rating		Medium	High
3	O-Ring	Nitrile X4020-424A	X4020-424A
4	Impeller	3A Neoprene 8963-0005B	8600-0005B
		E.P.D.M. 8963-0002B	8600-0002B
5	Body	Tri-Clamp 28504-1000	28504-1000
		IDF/ISS 28504-3000	28504-3000
		RJT 28504-4000	28504-4000
		Bevel Seat 28504-5000	28504-5000
		DIN 28504-6000	28504-6000
		SMS 28504-7000	28504-7000
7 / 8	Seals	Std Mech. 28531-0103B	28531-0103B
		Hard Faced 28531-0203B	28531-0203B
Service Kit		3A Neoprene SK379-0115	SK379-0125
		E.P.D.M.	

Models with Neoprene and E.P.D.M. impellers use Nitrile elastomers on seals and O-rings.

NOTE:- Service Kits contain standard mechanical seals. For hard faced seals, order parts separately.

Other Available Options

Standard head kits, for close coupling to standard IEC motors.

Jabsco

USA

Jabsco
1485 Dale Way
Costa Mesa
CA 92628-2158

Tel : +1 714 545 8251
Fax : +1 714 957 0609

UK

Jabsco
Bingley Road
Hoddesdon
Hertfordshire, EN11 0BU

Tel : +44 (0) 1992 450 145
Fax : +44 (0) 1992 467 132

GERMANY

Jabsco GmbH
Oststraße 28
22854 Norderstedt

Tel : +49 (0) 40 53 53 73 0
Fax : +49 (0) 40 53 53 73 11

28520 Series

Hygienic Stainless Steel Head Kit Pump

Features

- Self primes from dry up to 4.5 metres
- Flows up to 365 litres per minute
- Pressure up to 2.5 bar[†]
- Handles soft solids - max. 16mm diameter
- Certified to US 3A Standard 02-09
- Clean-In-Place (CIP) or easy strip clean
- Handles viscosities up to 10,000 centiPoise
- Minimal shear to thixotropic fluids
- Fits IEC standard motor B3/B14, frame 100



Typical Applications

- Foods, sauces, doughs, preserves, liquid egg, meat pastes
- Dairy products, milk, cream, yoghurt, cheeses
- Cosmetics, toothpaste, shampoos, soaps
- Pharmaceutical creams & lotions
- Wines, beers, soft drinks, fruit juices & syrups
- Ingredients unloading and transfer
- Tank filling and emptying
- Recirculation and mixing
- Portion and container filling
- Brine injection
- Sampling, filtration and more

Specifications

Seal : Carbon / Ceramic mechanical face seal
Tungsten Carbide / Ceramic hard faced seal
Flushed options for crystallising fluids

Seal Elastomer : Food grade Nitrile

Pump Head : Stainless steel 316, machined interior and electropolished exterior finish

End Cover : Stainless steel 316 grade

Shaft : Stainless steel 316 grade shaft extension

Bearings : Uses motor bearings

Motor Adaptor : Epoxy coated cast iron

Ports :			
2"	Tri-Clamp	28520-1xxx	
50mm	IDF/ISS	28520-3xxx	
2"	RJT to BS1864	28520-4xxx	
2"	3A Bevel Seat	28520-5xxx	
50mm	DIN 11851	28520-6xxx	
50mm	SMS 1145	28520-7xxx	

Model Range

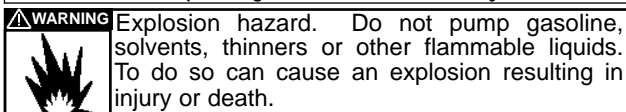
Weight : 10.0kg

Pressure options	Standard - Max 2.5 bar [†]		Medium - Max 2.5 bar [†]		
	Elastomer option	3A Neoprene	E.P.D.M.	3A Neoprene	E.P.D.M.
Temperature range	4°C to 65°C		0°C to 120°C	4°C to 65°C	0°C to 120°C
Mechanical Seal Options					
Carbon/Ceramic	28520-x105				28520-x112
Tungsten Carbide/Ceramic hard faced					
Flushed Mechanical Seal					
Tungsten Carbide/Ceramic hard faced					
Carbon/Ceramic					

For models not listed above, consult distributor or factory, 'x' Substitute port code from table above

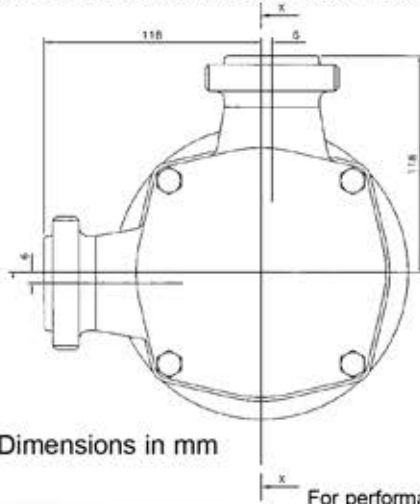
Note : it is not recommended to start the pump at extremes of the temperature range, impeller damage may occur

For Installation, Operating, Maintenance and Safety Instructions refer to form 43001-0543

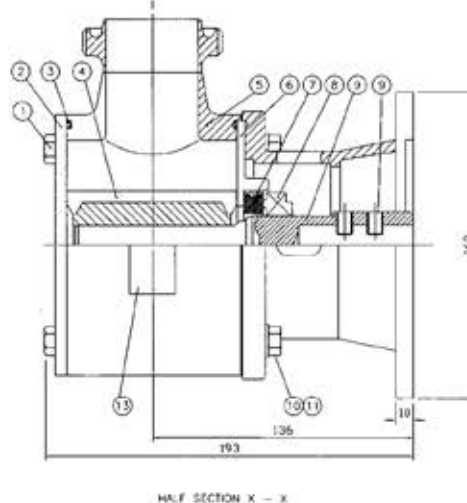


† Pressures over 1.0 bar may reduce motor shaft life

Fits IEC motor with foot & face to IEC B3/B14 frame size 100

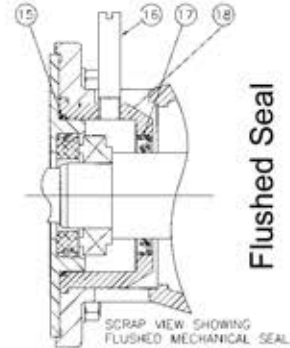


Dimensions in mm



HALF SECTION X - X

28520 Series



Flushed Seal

SCRAP VIEW SHOWING FLUSHED MECHANICAL SEAL

For performance data refer to the 370 size flexible impeller pump performance curves

Parts List

Key	Description	Qty	Part Number
1	Screw	4	X3001-207F
2	Endcover	1	28505-0020
3	O'Ring *	2	See right
4	Impeller*	1	See right
5	Body	1	See right
6	Wearplate	1	28536-0000
7 / 8	Seal Assembly *	1	See right
9	Shaft Extension	1	28527-0001
10	Motor Adaptor	1	28523-0000
11	Screw	4	X3001-209F
12	Washer	4	X3080-101K
13	Screw	4	X3001-211F
14	Washer	4	X3080-101F
15	Set Screw	2	X3009-207A
22	O-Ring	1	X4020-269A
23	Seal Housing	1	28512-0000
24	Tube	2	21844
25	Seal	1	SP2701-0916

Parts marked * Contained in service kit

Spare Parts & Service Kits

Pressure Rating		Standard	Medium
3	O-Ring	Nitrile X4020-424A	X4020-424A
4	Impeller	3A Neoprene 8984-0005B	8963-0005B
		E.P.D.M. 8963-0002B	8963-0002B
5	Body	Tri-Clamp 28504-1000	28504-1000
		IDF/ISS 28504-3000	28504-3000
		RJT 28504-4000	28504-4000
		Bevel Seat 28504-5000	28504-5000
		DIN 28504-6000	28504-6000
		SMS 28504-7000	28504-7000
7 / 8	Seals	Std Mech. 28531-0103B	28531-0103B
		Hard Faced 28531-0203B	28531-0203B
Service Kit	3A Neoprene E.P.D.M.	SK379-0105	SK379-0115

Models with Neoprene and E.P.D.M. impellers use Nitrile elastomers on seals and O-rings.

NOTE:- Service Kits contain standard mechanical seals. For hard faced seals, order parts separately.

Other Available Options

Pedestal pumps, for higher pressure capability.

Jabsco

USA

Jabsco
20 Icon
Foothill Ranch
CA 92610

Tel : +1 949 609 5106
Fax : +1 949 859 1254

UK

Jabsco
Bingley Road
Hoddesdon
Hertfordshire, EN11 0BU

Tel : +44 (0) 1992 450 145
Fax : +44 (0) 1992 467 132

GERMANY

Jabsco GmbH
Oststraße 28
22844 Norderstedt

Tel : +49 (0) 40 53 53 73 0
Fax : +49 (0) 40 53 53 73 11

28530 Series Stainless Steel Pedestal Pump

Features

- Self primes from dry up to 4.5 metres
- Flows up to 365 litres per minute
- Pressure up to 3.0 bar
- Handles hard or soft solids - max. 13mm dia
- Tolerates abrasive wear - replacable wearplate
- Non pulsating flow, proportional to speed
- Handles viscosities up to 50,000 centiPoise
- Minimal shear to thixotropic fluids
- Easy to service and maintain



Typical Applications

- Acids and alkalis, compounds, copper sulphate, methyls, alcohols.
- Industrial chemicals, resins, oils, fatty acids, brine.
- Detergents, soaps, hydrogen peroxide.
- Paints, dyes, inks, varnishes, laquers, solvents.
- Transfer, filling, recirculation and agitation, spillage return, spraying, coating, filtration.
- Viscous, shear-sensitive fluids, small hard and soft solids in suspension.

Specifications

Seal : Carbon / Ceramic mechanical face seal

Optional:

- Tungsten Carbide / Ceramic hard faced mechanical seal
- Nitrile Lip seal on shaft sleeve
- Carbon / Ceramic flushed seal
- Tungsten Carbide / Ceramic hard faced flushed seal

Seal Elastomer : Nitrile or Viton

Pump Head : Stainless steel 316, as-cast exterior finish

End Cover : Stainless steel 316 grade

Shaft : Stainless steel 316 grade

Bearings : Greased ball bearings

Bearing Housing : Epoxy coated cast iron

Ports : 2" BSP external thread to BS21 (DIN2999)

Weight : 14.5kg

Model Range


Pressure options	Medium - Max 2.5 bar				High - Max 3.0 bar				
	Elastomer option	3A Neoprene	E.P.D.M.	Nitrile	Viton®	3A Neoprene	E.P.D.M.	Nitrile	Viton®
Temperature range	4°C to 65°C	0°C to 120°C	-5°C to 90°C	10°C to 90°C	4°C to 65°C	0°C to 120°C	-5°C to 90°C	10°C to 90°C	
Mechanical Seal Options									
Carbon/Ceramic	28530-2115	28530-2112			28530-2125	28530-2122			
Tungsten Carbide/Ceramic hard faced	28530-2215				28530-2225				
Lip seal									
Flushed Mechanical Seal									
Tungsten Carbide/Ceramic hard faced	28530-2715								
Carbon/Ceramic	28530-2915								

For models not listed above, consult distributor or factory


Note : it is not recommended to start the pump at extremes of the temperature range, impeller damage may occur

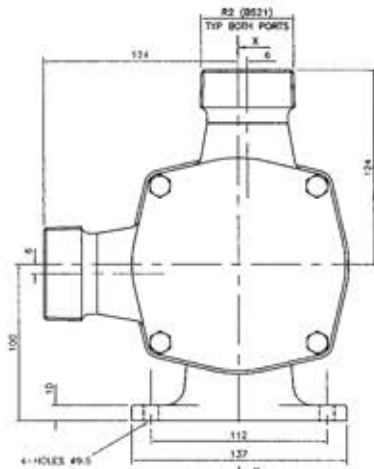
For Installation, Operating, Maintenance and Safety Instructions refer to form 43001-0543

⚠ WARNING Explosion hazard. Do not pump gasoline, solvents, thinners or other flammable liquids. To do so can cause an explosion resulting in injury or death.

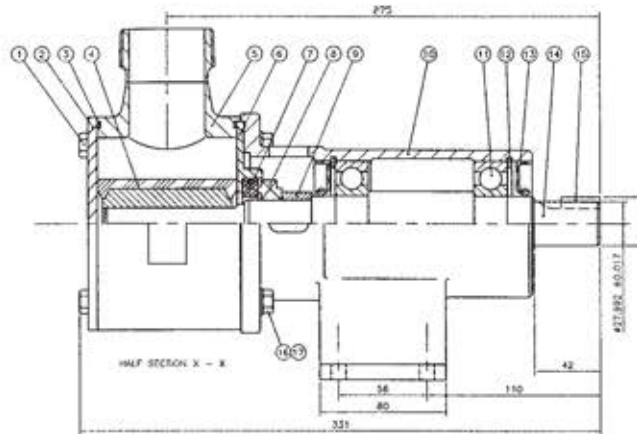


⚠ WARNING Injury hazard. Exposed pulleys and belts can cause injury. Install shield around pulleys and belts. Stay clear while machinery is operating.

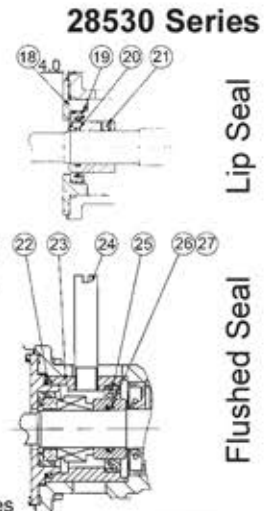




Dimensions in mm



For performance data refer to the 370 size flexible impeller pump performance curves



Parts List

Key	Description	Qty	Part Number
1	Screw	4	X3001-207F
2	Endcover	1	28505-0010
3	O'Ring *	2	See right
4	Impeller*	1	See right
5	Body	1	28504-2002
6	Wearplate	1	28536-0000
7 / 8	Seal Assembly *	1	See right
9	Seal Spacer	1	28517-0000
10	Bearing Housing	1	28503-0000
11	Bearing	2	SP2601-23
12	Retaining Ring	2	SP1701-437
13	Lip seal (Bearing Housing)	2	SP2701-0912
14	Shaft	1	28507-0000
15	Key	1	X4000-487A
16	Washer	4	X3080-101K
17	Screw	4	X3001-211F
18	Wearplate	1	28566-0000
19	Lip Seal	2	SP2701-0915
20	O-Ring	1	X4020-229A
21	Seal Spacer	1	28565-0011
22	O-Ring	1	X4020-269A
23	Seal Housing	1	28512-0000
24	Tube	2	21844
25	Seal	1	SP2701-0915
26	O-Ring	1	X4020-229A
27	Seal Spacer	1	28517-0001

Parts marked * Contained in service kit

Spare Parts & Service Kits

Pressure Rating		Medium	High	
3	O-Ring	Nitrile X4020-424A	X4020-424A	
4	Impeller	3A Neoprene	8963-0005	8600-0005
		E.P.D.M.	8963-0002	8600-0002
7 / 8	Std Mech.	Nitrile	28531-0103B	28531-0103
	Hard Faced	Nitrile	28431-0203	28431-0203
Service Kit		Neoprene	SK379-0115	SK379-0125
		E.P.D.M.		

Models with Neoprene and E.P.D.M. impellers use Nitrile elastomers on seals and O-rings.

Viton is a registered trademark of DuPont Dow Elastomers.

Other Available Options

Standard head kits, for close coupling to standard IEC motors.

Jabsco

USA

Jabsco
1485 Dale Way
Costa Mesa
CA 92628-2158

Tel : +1 714 545 8251
Fax : +1 714 957 0609

UK

Jabsco
Bingley Road
Hoddesdon
Hertfordshire, EN11 0BU

Tel : +44 (0) 1992 450 145
Fax : +44 (0) 1992 467 132

GERMANY

Jabsco GmbH
Oststraße 28
22844 Norderstedt

Tel : +49 (0) 40 53 53 73 0
Fax : +49 (0) 40 53 53 73 11

28540 Series

Stainless Steel Head Kit Pump

Features

- Self primes from dry up to 4.5 metres
- Flows up to 365 litres per minute
- Pressure up to 2.5 bar†
- Handles hard or soft solids - max. 13mm dia
- Tolerates abrasive wear - replacable wearplate
- Non pulsating flow, proportional to speed
- Handles viscosities up to 4,000 centiPoise
- Minimal shear to thixotropic fluids
- Fits IEC standard motor B3/B14, frame 100



Typical Applications

- Acids and alkalis, compounds, copper sulphate, methyls, alcohols.
- Industrial chemicals, resins, oils, fatty acids, brine.
- Detergents, soaps, hydrogen peroxide.
- Paints, dyes, inks, varnishes, laquers, solvents.
- Transfer, filling, recirculation and agitation, spillage return, spraying, coating, filtration.
- Viscous, shear-sensitive fluids, small hard and soft solids in suspension.

Specifications

Seal : Carbon / Ceramic mechanical face seal

Optional:

- Tungsten Carbide / Ceramic hard faced mechanical seal
- Nitrile Lip seal on shaft sleeve
- Carbon / Ceramic flushed seal
- Tungsten Carbide / Ceramic hard faced flushed seal

Seal Elastomers : Nitrile or Viton

Pump Head : Stainless steel 316, as-cast interior and exterior finish

End Cover : Stainless steel 316 grade

Shafts : Stainless steel 316 grade, shaft extension

Bearings : Uses motor bearings

Motor Adaptor : Epoxy coated cast iron

Ports : 2" BSP external thread to BS21 (DIN2999)

Weight : 9.7kg


Model Range

Pressure options	Standard - Max 2.5 bar†			Medium - Max 2.5 bar†		
Elastomer option	Neoprene			3A Neoprene	E.P.D.M.	
Temperature range	4°C to 80°C			4°C to 65°C	0°C to 120°C	
Mechanical Seal Options						
Carbon/Ceramic	28540-2101				28540-2112	
Tungsten Carbide/Ceramic hard faced						
Lip seal						
Flushed Mechanical Seal						
Tungsten Carbide/Ceramic hard faced						
Carbon/Ceramic	28540-2901					

For models not listed above, consult distributor or factory

Note : it is not recommended to start the pump at extremes of the temperature range, impeller damage may occur

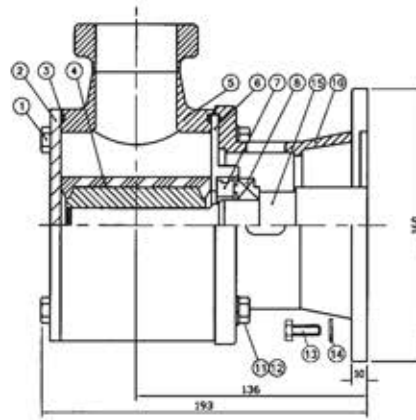
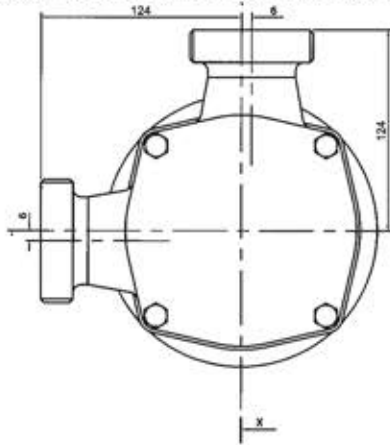
For Installation, Operating, Maintenance and Safety Instructions refer to form 43001-0543



⚠ WARNING Explosion hazard. Do not pump gasoline, solvents, thinners or other flammable liquids. To do so can cause an explosion resulting in injury or death.

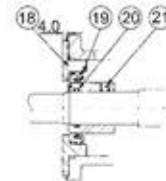
† Pressures over 1.0 bar may reduce motor shaft life

Fits IEC motor with foot & face to IEC B3/B14 frame size 100

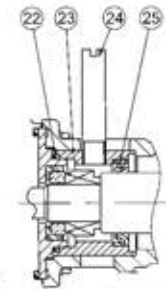


HALF SECTION X - X

28540 Series



Lip Seal



Flushed Seal

Dimensions in mm

For performance data refer to the 370 size flexible impeller pump performance curves

Parts List

Key	Description	Qty	Part Number
1	Screw	4	X3001-207F
2	Endcover	1	28505-0010
3	O'Ring *	2	See right
4	Impeller*	1	See right
5	Body	1	28504-2002
6	Wearplate	1	28536-0000
7 / 8	Seal Assembly *	1	See right
10	Motor Adaptor	1	28523-0000
11	Screw	4	X3001-209F
12	Washer	4	X3080-101K
13	Screw	4	X3001-209F
14	Washer	4	X3080-101K
15	Shaft Extension	1	28527-0001
16	Set Screw	2	X3009-203A
18	Wearplate	1	28566-0000
19	Lip Seal	1	SP2701-0915
20	O-Ring	1	X4020-229A
21	Seal Spacer	1	28565-0011
22	O-Ring	1	X4020-269A
23	Seal Housing	1	28512-0000
24	Tube	2	21844
25	Seal	1	SP2701-0915

Parts marked * Contained in service kit

Spare Parts & Service Kits

3	O-Ring	Nitrile	X4020-424A
		Viton	
4	Impeller	Neoprene	18786-0001
		E.P.D.M.	8963-0002
		3A Neoprene	8963-0005
7 / 8	Std Mech. Seals	Nitrile	28531-0103B
		Nitrile	28531-0203B
Service Kit		Neoprene	
		E.P.D.M.	

Models with Neoprene and E.P.D.M. impellers use Nitrile elastomers on seals and O-rings.

Viton is a registered trademark of DuPont Dow Elastomers.

Other Available Options

Pedestal pumps, for coupling to motor, gearbox or pulley.

Jabsco

USA

Jabsco
1485 Dale Way
Costa Mesa
CA 92628-2158

Tel : +1 714 545 8251
Fax : +1 714 957 0609

UK

Jabsco
Bingley Road
Hoddesdon
Hertfordshire, EN11 0BU

Tel : +44 (0) 1992 450 145
Fax : +44 (0) 1992 467 132

GERMANY

Jabsco GmbH
Oststraße 28
22844 Norderstedt

Tel : +49 (0) 40 53 53 73 0
Fax : +49 (0) 40 53 53 73 11